

EC Forward Curved Centrifugal Fan

EC Forward Curved Centrifugal Fan

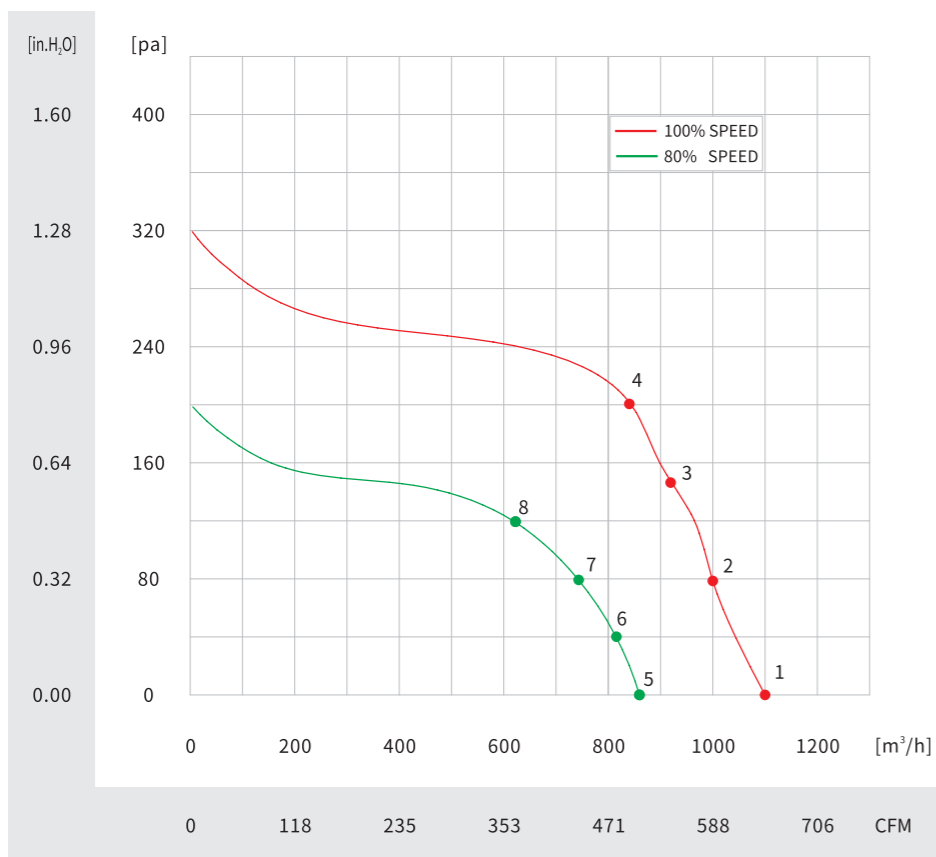
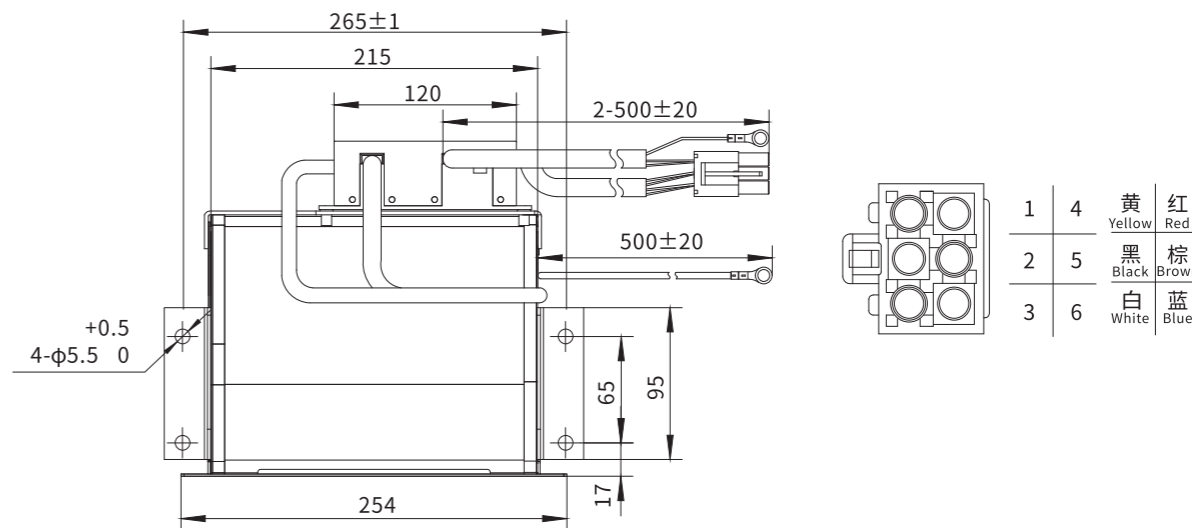
ErP2015  
EXCEEDS THE NORM



EC92-F133

类型(Type): 双进风Dual-Inlet  
 防护等级 (Level of protection): IP44  
 绝缘等级 (Insulation class): B  
 产品认证 (Approval): CE、CCC、UL  
 轴承类型 (Bearing): Maintenance Free Ball Bearing

型号 Model	额定电压 Rated Voltage	频率 Frequency	转速 Speed	输入功率 Input Power	电流 Current	噪音 Noise	使用温度 Applicable Temp
	VAC	Hz	RPM	W	A	dB	°C
EC92-F133	220/230	50/60	2130	200	1.4	76	-20~+60



No.	转速 Speed [RPM]	输入功率 Input Power [W]
1	2071	200
2	2238	200
3	2402	201
4	2490	196
5	1658	124
6	1724	121
7	1785	118
8	1865	112

